

DESCRIPTION

The EUR5 hose-reels (RIA) is an equipment of first intervention, permanently supplied with water to enable anybody to act immediately and efficiently whenever a fire breaks out in order to limit or stop its spreading while awaiting the arrival of fire-brigades or more powerful extinguishing equipment⁽¹⁾.

STANDARDS

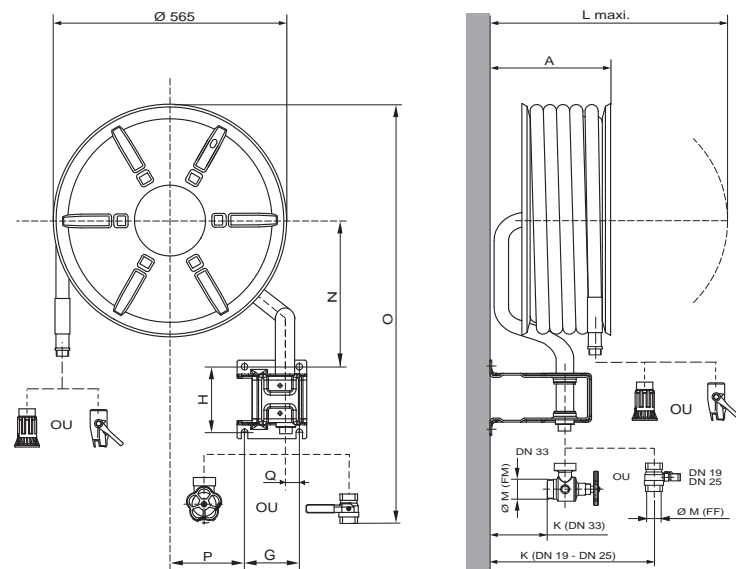
The hose-reels are in compliance with the following standards :

- **EN 671-1:2012^(a)** Fixed fire fighting installations - Equipment with hoses. Part 1 : RIA (fire hose reel) equipped with semi-rigid hose.
 - **EN 694^(a)** Semi-rigid hoses for fire hose-reels.
 - **NF S 62.201^(a)** Fire hose-reels (RIA) equipped with semi-rigid hoses. Installation and maintenance instructions.
- APSAD R5 Regulation** Installation and maintenance instructions of RIA/ PIA.



CE The CE marking, on this product, is in compliance with the European regulations, which is applicable to it, particularly in compliance with the specifications harmonized by the standard EN 671-1:2012^(a) compared to the European regulation N° 305/2011 (PRC) concerning construction products.

NF The NF mark applied to the RIA/ PIA, is the assurance of safety and consistent quality inspected by experts . By its rigorous and extensive testing (Quality Management System holder / distributor of manufacturing control, audits and monitoring tests ...) it gives the user all warranties of certified products. NF- RIA / PIA mark certifies product conformity to NF 021 certification rules.



ND	Hose Length (m)(a)	Sizes (mm)									
		A	G	H	K	L	Ø M	N	O	P	Q
19/6	20/30	223	90	122	136	635	G3/4	307	763	161	45
25/8	20/30	293	118	142	168	675	G1	346	823	118	29
33/12	20/30	427	118	165	202	880	G1 1/2	182	736	237	32

CE R-PONS 06 EN 671-1:2012 Dop Nr (see below)
0333 Hose reel with semi-rigid hose

(b) ESSENTIAL CHARACTERISTICS

- Hose inside diameter (see below)	pass	- Reel - Load resistance	pass
- Hose length (see below)	pass	- Shut-off nozzle - Impact resistance	pass
- Nozzle type (see below)	pass	- Shut-off nozzle - Operating torque	pass
- Nozzle diameter (see below)	pass	- Shut-off nozzle - General	pass
Fixed installation to provide occupants of a building the means to control and extinguish a fire nearby.		- Inlet stop valve - Manual Inlet stop valve	pass
DISTRIBUTION OF EXTINGUISHING MEDIA :		- Hydraulic properties	
- Hose bore	pass	- Resistance to internal pressure	pass
- Minimum flow rate (see below)	pass	- Strength	pass
- Effective throw range	pass	ABILITY TO PULL OUT THE HOSE WITH	
- Spray discharge	pass	- Reel - Unwinding load	pass
OPERATIONAL RELIABILITY :		- Reel - Dynamic breaking	pass
- Hose - General	pass	- Reel - Maximum length	pass
- Shut-off nozzle - General	pass	DURABILITY OF OPERATIONAL RELIABILITY WITH :	
- Reel - Construction	pass	- Resistance to corrosion of	
- Reel - Rotating	pass	- coated parts	pass
- Reel - Swinging	pass	- waterways	pass
- Reel - Impact resistance	pass	- Ageing tests for plastics materials	pass

CHARACTERISTICS AND PERFORMANCES

DoP Nr (Declaration of Performance)	CE 0333	EUR5-DN19-021001-1	EUR5-DN25-021001-1	EUR5-DN25-021001-2	EUR5-DN33-021001-1	EUR5-DN33-021001-2
Certification Nr	NF	RB/02/001	RB/02/006	RB/02/004	RB/02/007	RB/02/025
Unique identification code of product		3256,512V 3256,513V	3256,922V 3256,923V	3252,922 3252,923	3256,932D 3256,933D	3252,932D 3252,933D
Weight (kg)		19 22	25 29	25 30	39 46	39 46
Package (mm)		742 x 237 x 625	842 x 317 x 625		795 x 470 x 670	
ND / Ø (a)(b)		19/6	25/8	25/8	33/12	33/12
Hose length (m) (a)(b)		20 30	20 30	20 30	20 30	20 30
Nozzle type (a)(b)		EUROPONS DMFA	EUROPONS DMFA	HUGJET DFMB	EUROPONS DMFA	HUGJET DFMB
Diffusion angle		90° conical diffusion	90° conical diffusion	90° sheet-jet spray	90° conical diffusion	90° sheet-jet spray
Minimum pressure (bar) (1)(a)		4	3,5	3,5	3	3
Maximum pressure of use (bar)		12	12	12	7	7
Flow-rate (l/min) (2)(a)		34	57	65	133	133
Effective throw range* (m) with straight jet (a)		13	14	16	16	22
Effective throw range*eff (m) with protection jet (x°) (a)		4 à (45°)	8 à (45°)	11 à (90°)	9 à (45°)	13 à (90°)

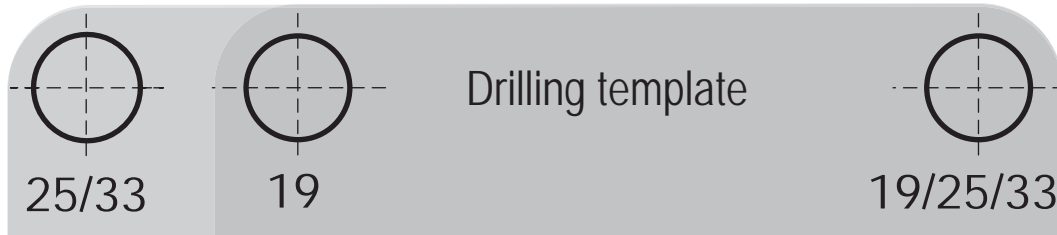
(1) at the inlet of the most hydraulically disadvantaged hose reel, in flow regime, in compliance with the prescriptions of the NF S 62.201 standard and to the APSAD R5 rule.
(2) real flows of the hose reel, certified at the minimum pressure of service (see above), in compliance with the prescriptions of the EN 671-1:2012 standard.

(a) Certified characteristics :
Certification body : AFNOR Certification - 11 rue Francis de Pressensé - 93571 LA PLAINE SAINT DENIS Cedex
http://www.afnor.org http://www.marque-nf.com Email : certification@afnor.org

Preserve necessarily the documentation supplied with this product during all its life expectancy

AVERTISSEMENT

Before the installation, check the good conditions of the package and that the hose did not suffer any damage during transport.



COMPOSITION

This hose-reel is composed of the following elements :

- A EUR5 type P reel (red fire coated), swinging and rotating, with axial water supply, screwed to the wall bracket.
- A stop valve (with progressive operation for the ND 33)^(a).
- A semi-rigid hose in PVC (EN 694^(a)), A type, Class 2.
- A nozzle.
- A data sheet.

INSTALLATION

- Mark the 4 fixing holes with the drilling template, making sure that the rotation axis of the reel is situated between 1,20 m and 1,80 from the ground.
- Fix the hose-reel with the 4 bolts of diameter 12 (not supplied).
- Position the stop valve accordingly to the water supply pipe orientation.
- Purge the installation before connecting the stop valve (with progressive operation for the ND 33).
- Connect the stop valve to the water supply pipe.
- Open the valve and purge the air, then check the waterproofness of the installation.



INSTALLATION CAUTION

- Protect the installation against frost. Installation has to comply with NFS 62-201^(a) standard and with the APSAD R5 rules and with all the prescription written on this note.



Before turning on the water flow, it is compulsory to drain the installation in order to eliminate the impurities that could obstruct the hose-reel and damage the nozzle. Do so after the connection of the stop valve to the water supply pipe.
Otherwise, unscrew the nozzle, drain the installation until the water's out clear of impurities.
Close the stop valve, screw the nozzle. Open again the stop valve to drain the air, close the nozzle.
The stop valve always has to be closed.
The hose-reel installation has to be charged with water until the nozzle, but **WITHOUT PRESSURE.**

(a) Certified characteristics :
 Certification body : AFNOR Certification - 11 rue Francis de Pressensé - 93571 LA PLAINE SAINT DENIS Cedex
<http://www.afnor.org> <http://www.marque-nf.com> Email : certification@afnor.org

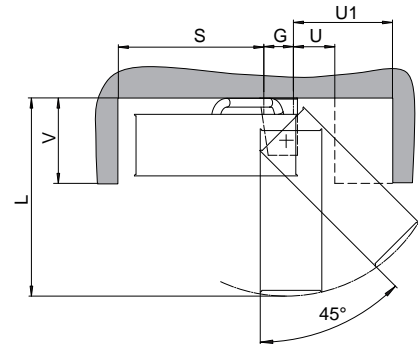
Preserve necessarily the documentation supplied with this product during all its life expectancy

EUR 5 - SWINGING HOSE REEL TYPE P

NICHES DIMENSIONS (MM)

The hose-reel can be installed in wall niche of following dimensions :

ND	Hose length (m)	L maxi	G	S mini	U mini	U1 mini	V mini
19/6	30 maxi	635	90	550	80	160	230
25/8	30 maxi	675	118	515	195	370	305
33/12	30 maxi	880	118	655	250	450	440



USING CAUTION AND INSTRUCTIONS

- Use the hose reel only for the extinguishing fire not something else.
- Never use it on electrical fires (except with the DMFA/HT nozzle).
- At the implementation phase, make sure the nozzle is closed.
- Open progressively and completely the stop valve.
- Unwind the necessary hose-length to access the fire.
- Open progressively the nozzle until the diffusion of protection, then if necessary, turn back to the straight jet position.
- Attack the fire from the base of the flames.
- After use, close the nozzle then the stop valve. Rewind correctly the hose and drop pressure with a brief opening of the nozzle.
- Check the hose reel is full of water and, without pressure.

INSTRUCTIONS FOR MAINTENANCE

- Regular maintenance is necessary to insure its best working conditions.
- The maintenance has to be done by a qualified person^(a).
- As part of the five-year review, it is necessary to change the collars, screws and pins of the hose.
- Never reuse dismantled collars and pins.
- For any operation of maintenance, use only parts from R. PONS which assure the maintain of the CE and NF-RIA certification.

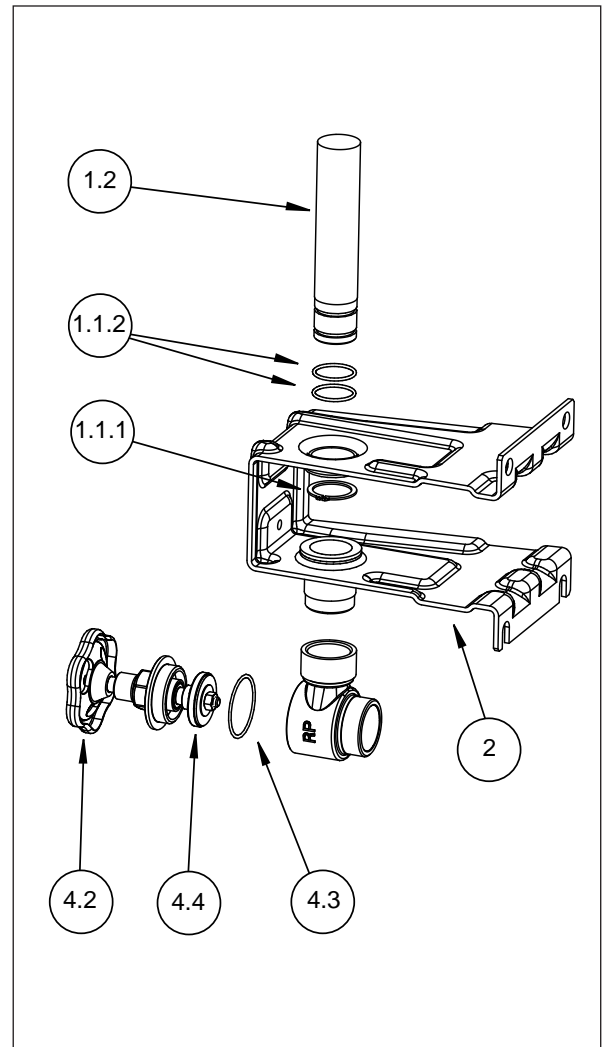
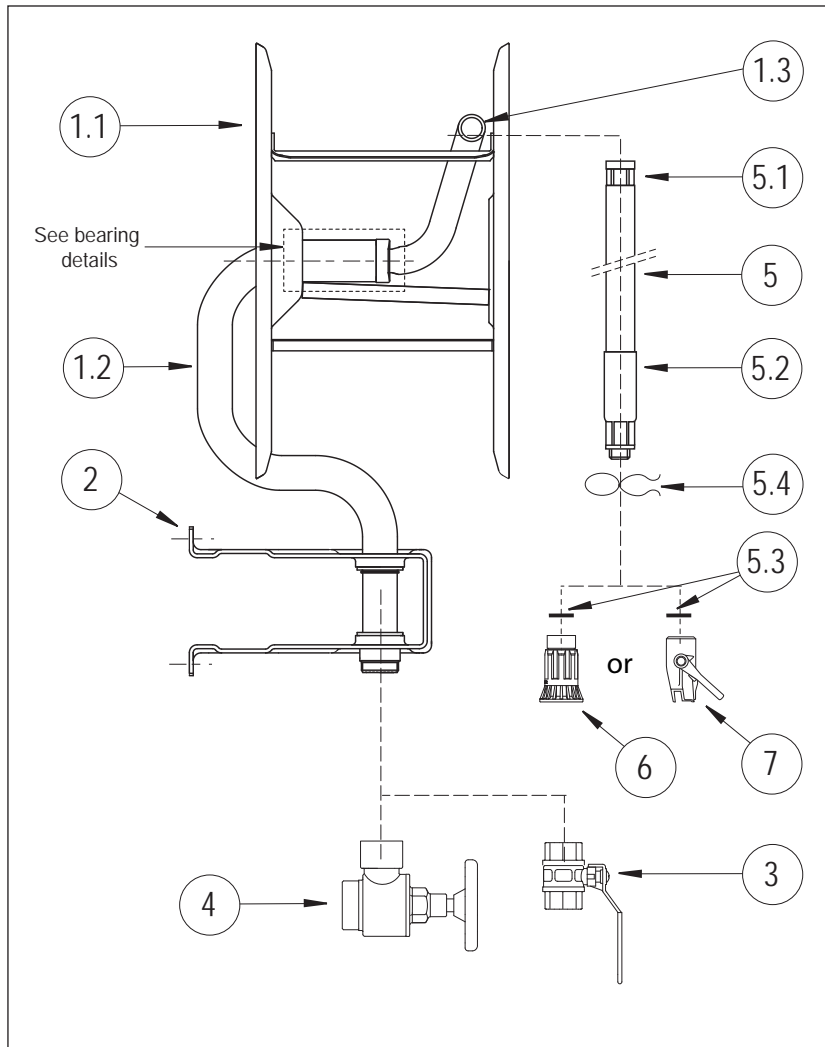
COMPONENTS AND SPARE PARTS

		DN 19		DN 25		DN 33	
Rep.	Designation	Qty	Part numbers	Qty	Part numbers	Qty	Part numbers
-	Complete hose-reel with stop valve	1	3195.931	1	3194.932	1	3194.933D
1.1	Hose length	1	3195.931B	1	3194.932B	1	3194.933B
1.2	Supply pipe	1	3195.931T	1	3194.932T	1	3194.933T
1.1.2	- Gaskets for upper and lower bearings (2 x 2)	4	-	4	-	4	-
1.1.1	- Stop bearing snap rings*	2	-	1	-	1	-
1.1.1	- Stop supply pipe snap rings*	1	-	1	-	1	-
1.3	Gooseneck	1	3195.931C	1	3194.932C	1	3194.933C
1.1.3	- Gooseneck gaskets*	2	-	2	-	2	-
	- Gooseneck collar, with 2 screws*	-	-	1	-	1	-
2	Wall bracket with female BSP thread	1	3195.931SUP	1	3194.932SUP	1	3194.933SUP
3	1/4 female thread stop valve	1	3031.473R	1	3031.474R	-	-
4	BSP male threaded stop globe valve	-	-	-	-	1	3333.418
4.2	- Wheel of the valve + screw	-	-	-	-	1	3333.2V
4.3	- Head valve gasket*	-	-	-	-	1	-
4.4	- Head flapper gasket*	-	-	-	-	1	-
5	20 m PVC hose (with branchpipe, threaded nipple and seal)	1	3770.170	1	3773.171	1	3773.173
5	30 m PVC hose (with branchpipe, threaded nipple and seal)	1	3773.180	1	3773.181	1	3773.183
5.1	- Crimped ring	1	-	1	-	1	-
5.2	- Branchpipe	-	-	1	-	1	-
5.3	- Threaded end gasket*	-	-	1	-	1	-
-	Hose with threaded elbow inlet, outlet grip pipe, threaded end part and gasket ⁽³⁾						
	- 20m			1	3773.171C	1	3773.173C
	- 30m			1	3773.181C	1	3773.183C
5.4	Retention clip for the hose (by 10 pieces bag)	1	3770.2C1910	1	3770.2C2510	1	3770.2C3310
6	EUROPONS nozzle	1	3046.409F	1	3046.401F	1	3046.204
7	HUGJET nozzle	-	-	1	3048.101	1	3048.104
-	Maintenance kit (includes elements with *)	-	4094.119	-	4095.225	-	4095.233

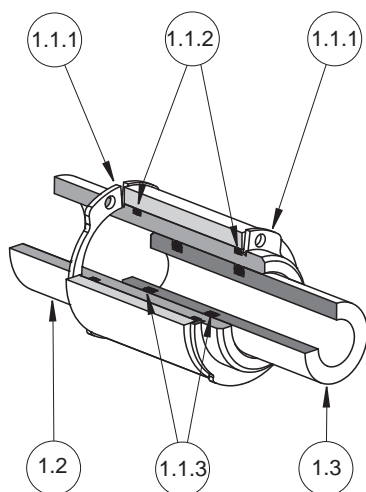
(a) Certified characteristics :
Certification body : AFNOR Certification - 11 rue Francis de Pressensé - 93571 LA PLAINE SAINT DENIS Cedex
<http://www.afnor.org> <http://www.marque-nf.com> Email : certification@afnor.org

Preserve necessarily the documentation supplied with this product during all its life expectancy

ROBINET D'INCENDIE ARME PIVOTANT - EUR 5



ND 19 Bearing details



ND 25/33 Bearing details

